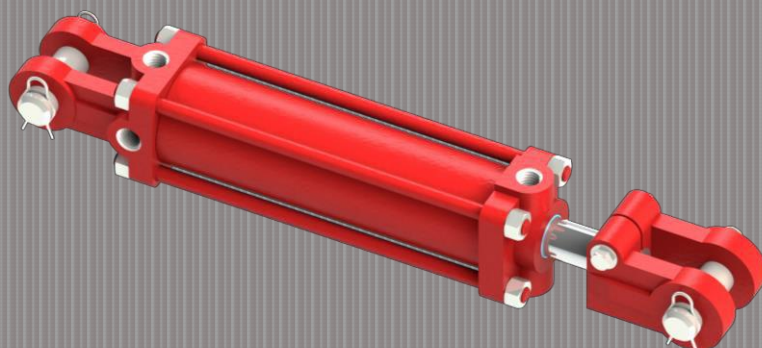


# Hydraulic Cylinders TR Series

Hydraulic Tie-Rod Cylinder  
Adjustable Female Clevis  
3000 psi Working Pressure  
4500 psi Proof Pressure  
Customized Designs  
12 Months Limited Warranty



Agricultural  
Cylinders  
Oil & Gas and  
Industrial Cylinders  
Offshore, Subsea  
& Marine Cylinders  
Hydraulic  
Power Units



O.E. MANUFACTURING PTE LTD  
The Hydraulic Cylinder Specialist

# TR Series

PART NUMBER	BORE & STROKE	DIMENSIONS		ROD DIAMETER	PIN SIZE	PORTS	COLUMN LOAD (LBS)	PRESSURE (PSI)	WEIGHT (LBS)
		RETRACTED	EXTENDED						
TR2004-11	2" X 4"	14-1/4"	18-1/4"	1-1/8"	1"	SAE 8 & 3/8" NPT	9400	3000	17
TR2006-11	2" X 6"	16-1/4"	22-1/4"				9400	3000	19
TR2008-11	2" X 8"	18-1/4"	26-1/4"				9400	3000	21
TR2010-11	2" X 10"	20-1/4"	30-1/4"				9400	3000	23
TR2012-11	2" X 12"	22-1/4"	34-1/4"				9400	3000	25
TR2014-11	2" X 14"	24-1/4"	38-1/4"				9400	3000	27
TR2016-11	2" X 16"	26-1/4"	42-1/4"				8400	2600	28
TR2018-11	2" X 18"	28-1/4"	46-1/4"				7000	2200	30
TR2020-11	2" X 20"	30-1/4"	50-1/4"				5900	1900	32
TR2024-11	2" X 24"	34-1/4"	58-1/4"				4400	1400	36
TR2030-11	2" X 30"	40-1/4"	70-1/4"				3000	900	41
TR2036-11	2" X 36"	46-1/4"	82-1/4"				2200	700	47
TR2504-12	2.5" X 4"	14-1/4"	18-1/4"	1-1/4"	1"	SAE 8 & 3/8" NPT	14700	3000	22
TR2506-12	2.5" X 6"	16-1/4"	22-1/4"				14700	3000	24
TR2508-12	2.5" X 8"	18-1/4"	26-1/4"				14700	3000	26
TR2510-12	2.5" X 10"	20-1/4"	30-1/4"				14700	3000	29
TR2512-12	2.5" X 12"	22-1/4"	34-1/4"				14700	3000	31
TR2514-12	2.5" X 14"	24-1/4"	38-1/4"				14700	3000	34
TR2516-12	2.5" X 16"	26-1/4"	42-1/4"				12800	2600	36
TR2518-12	2.5" X 18"	28-1/4"	46-1/4"				10700	2100	38
TR2520-12	2.5" X 20"	30-1/4"	50-1/4"				9100	1800	41
TR2524-12	2.5" X 24"	34-1/4"	58-1/4"				6700	1300	45
TR2530-12	2.5" X 30"	40-1/4"	70-1/4"				4600	900	53
TR2536-12	2.5" X 36"	46-1/4"	82-1/4"				3400	600	60
TR3004-12	3" X 4"	14-1/4"	18-1/4"	1-1/4"	1"	SAE 8 & 1/2" NPT	21200	3000	26
TR3006-12	3" X 6"	16-1/4"	22-1/4"				21200	3000	29
TR3008-12	3" X 8"	18-1/4"	26-1/4"				21200	3000	32
TR3010-12	3" X 10"	20-1/4"	30-1/4"				21200	3000	34
TR3012-12	3" X 12"	22-1/4"	34-1/4"				21200	3000	37
TR3014-12	3" X 14"	24-1/4"	38-1/4"				21200	3000	40
TR3016-12	3" X 16"	26-1/4"	42-1/4"				18800	2600	43
TR3018-12	3" X 18"	28-1/4"	46-1/4"				15700	2200	45
TR3020-12	3" X 20"	30-1/4"	50-1/4"				13300	1800	48
TR3024-12	3" X 24"	34-1/4"	58-1/4"				9900	1400	53
TR3030-12	3" X 30"	40-1/4"	70-1/4"				6800	900	62
TR3036-12	3" X 36"	46-1/4"	82-1/4"				4900	700	70



# TR Series

PART NUMBER	BORE & STROKE	DIMENSIONS		ROD DIAMETER	PIN SIZE	PORTS	COLUMN LOAD (LBS)	PRESSURE (PSI)	WEIGHT (LBS)
		RETRACTED	EXTENDED						
TR3504-14	3.5" X 4"	14-1/4"	18-1/4"	1-1/2"	1"	SAE 8 & 1/2" NPT	28800	3000	34
TR3506-14	3.5" X 6"	16-1/4"	22-1/4"				28800	3000	37
TR3508-14	3.5" X 8"	18-1/4"	26-1/4"				28800	3000	40
TR3510-14	3.5" X 10"	20-1/4"	30-1/4"				28300	2900	44
TR3512-14	3.5" X 12"	22-1/4"	34-1/4"				28700	2900	47
TR3514-14	3.5" X 14"	24-1/4"	38-1/4"				23000	2300	50
TR3516-14	3.5" X 16"	26-1/4"	42-1/4"				18800	1900	53
TR3518-14	3.5" X 18"	28-1/4"	46-1/4"				15700	1600	56
TR3520-14	3.5" X 20"	30-1/4"	50-1/4"				13300	1300	60
TR3524-14	3.5" X 24"	34-1/4"	58-1/4"				9900	1000	66
TR3530-14	3.5" X 30"	40-1/4"	70-1/4"				6800	700	76
TR3536-14	3.5" X 36"	46-1/4"	82-1/4"				4900	500	85
TR4004-20	4" X 4"	14-1/4"	18-1/4"	2"	1"	SAE 8 & 1/2" NPT	37600	3000	41
TR4006-20	4" X 6"	16-1/4"	22-1/4"				37600	3000	45
TR4008-20	4" X 8"	18-1/4"	26-1/4"				37600	3000	49
TR4010-20	4" X 10"	20-1/4"	30-1/4"				37600	3000	52
TR4012-20	4" X 12"	22-1/4"	34-1/4"				37600	3000	56
TR4014-20	4" X 14"	24-1/4"	38-1/4"				37600	3000	60
TR4016-20	4" X 16"	26-1/4"	42-1/4"				37600	3000	64
TR4018-20	4" X 18"	28-1/4"	46-1/4"				37600	3000	68
TR4020-20	4" X 20"	30-1/4"	50-1/4"				35000	2700	72
TR4024-20	4" X 24"	34-1/4"	58-1/4"				26000	2000	80
TR4030-20	4" X 30"	40-1/4"	70-1/4"				17900	1400	92
TR4036-20	4" X 36"	46-1/4"	82-1/4"				13000	1000	104

**Note :**

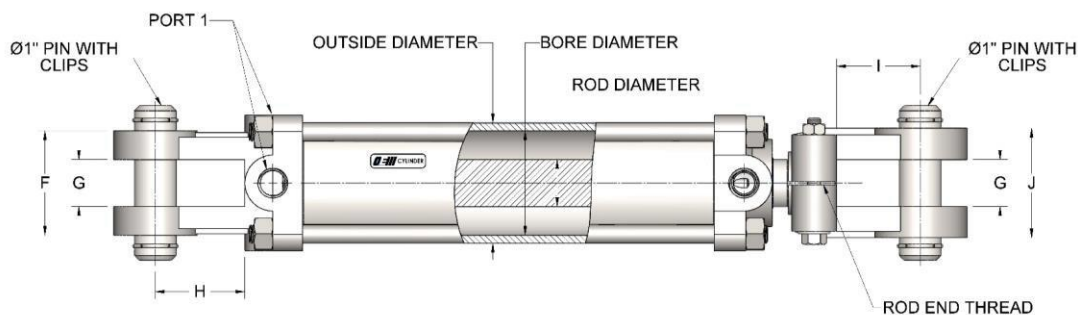
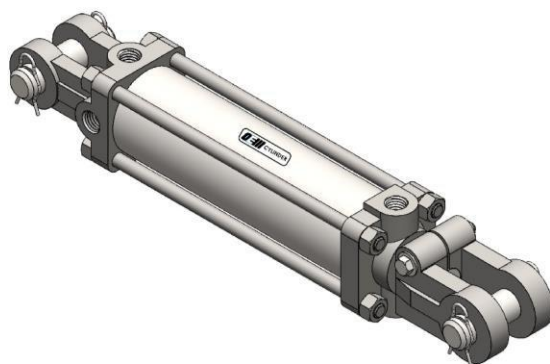
Column load is the maximum pushing load suggested using a minimum safety factor of 2 and based on a pin to pin mounting calculation.

O.E. Manufacturing is not responsible for incorrect results obtained with figures in this document. Information is for reference only. No other conditions are expressed or implied.

SEAL KIT ORDER CODE		
CODE	BORE	ROD
SK-TR2011	2"	1-1/8"
SK-TR2512	2-1/2"	1-1/4"
SK-TR3012	3"	1-1/4"
SK-TR3514	3-1/2"	1-1/2"
SK-TR4020	4"	2"



# TR Series



PART NUMBER	BORE DIAMETER	OUTSIDE DIAMETER	ROD DIAMETER	A	B	C	D	E	F	G	H	I	J	ROD THREAD	PORT 1	PORT 2
TR20-11	2.00"	2.50"	1.125"	10.25"	2.00"	1.01"	2.00"	3.75"	2.50"	1.12"	2.06"	2.12"	2.62"	M20 X 2	SAE 8	3/8" NPT
TR25-12	2.50"	3.00"	1.25"	10.25"	2.00"	1.01"	2.00"	3.75"	2.50"	1.12"	2.06"	2.12"	2.62"	M24 X 2	SAE 8	3/8" NPT
TR30-12	3.00"	3.50"	1.25"	10.25"	2.25"	1.01"	2.25"	3.75"	2.25"	1.12"	2.06"	2.12"	2.62"	M24 X 2	SAE 8	1/2" NPT
TR35-14	3.50"	4.00"	1.5"	10.25"	2.50"	1.01"	2.52"	3.62"	2.62"	1.12"	2.06"	2.12"	2.75"	M24 X 2	SAE 8	1/2" NPT
TR40-20	4.00"	4.50"	2"	10.25"	2.50"	1.01"	2.50"	3.56"	2.62"	1.12"	2.06"	2.12"	2.75"	M36 X 2	SAE 8	1/2" NPT

Available rod diameters: 1.25" (3.00" bore), 1.50" (3.50" bore) and 2.00" (4.00" bore) Seal temperature range: -30°C / +100°C (-22°F / +212°F)

Seal maximum speed: 3 ft/sec

Maximum retracted working pressure = 3000 psi

Maximum extended working pressure depends on column load (Refer column load)

Retracted length and stroke tolerance =  $\pm 1/8"$

Dimensions A and E are for references only as clevis is adjustable

## Headquarters:

159 Pioneer Road, Singapore 639603  
 Tel: (65) 6863 2155, Fax: (65) 6863 2055  
[www.oemspore.com](http://www.oemspore.com)  
 Email: [sales@oemspore.com](mailto:sales@oemspore.com)

## US Branch:

11665 Fuqua St  
 Houston, TX 77034  
 USA

## Thailand Branch:

173 / 18 Asia Centre Building  
 17th Floor, Room 107  
 South Sathorn Road,  
 Tungmahamek,  
 Sathorn, Bangkok 10120